

T28PN

- 6 User accounts & 6 Line Keys
- 320 x 160 pixels graphical LCD
- 13 programmable keys with LED indication
- Busy Lamp Field (BLF) Shared Bridged Appearance (BLA)
- Expansion Module Support
- Headset port
- Handsfree
- Dual 10/100 ethernet ports



T28PN is an executive IP phone designed for true versatility and optimum efficiency in the dynamic office environment. Unrivalled HD voice quality, innovative functional richness and friendly user interface combine with contemporary design for a truly advanced professional handset.

T28PN

Network Features

SIP v1(RFC2543), v2(RFC3261)
 NAT transverse: STUN mode
 IP Assignment: Static/DHCP/PPPoE
 In-Band DTMF, Out-of-Band DTMF, SIP Info
 Proxy mode and Peer-to-peer SIP link mode
 TFTP/DHCP/PPPoE client
 Telnet/HTTP server
 DNS client
 NAT/DHCP server
 Supports VLAN, QoS
 PoE
 VPN

Voice Features

Wideband Codec: G.722, voice spectrum between 50-7000Hz
 Narrowband Codecs: G.711, G.726, G.723.1/iLBC, G.729AB and GSM VAD, CNG, AEC, PLC, AJB, AGC
 Full-duplex hands-free speakerphone
 -compliant with IEEE 1329
 support Hearing Aid Compatible (HAC)

Security

Secure RTP
 Digest authentication using MD5/MD5-sess
 Secure configuration file via AES encryption

Phone Features

Call Hold, Call Waiting, Call Transfer, Call Forward
 300 name/number phonebook
 Caller ID, Call List, DND, Redial, Flash
 3-way Conference, Speed Dial
 Personal Ring Tone, Voicemail
 Volume Adjustment, Mute, Speakerphone
 Logo Customisation, Black List, Phone Lock
 Admin/User Configuration Mode
 Contact List Export/Import
 System Log Export/Import
 Hotline, Signal Tone Settable
 Multi-language
 LDAP

IP PBX System Integration

SMS, BLF/BLA, Paging, Intercom
 Downloadable enterprise phonebook
 Call Park, Call Pickup, Distinctive Ringtone
 Auto-answer, Dial Plan, Dial-now

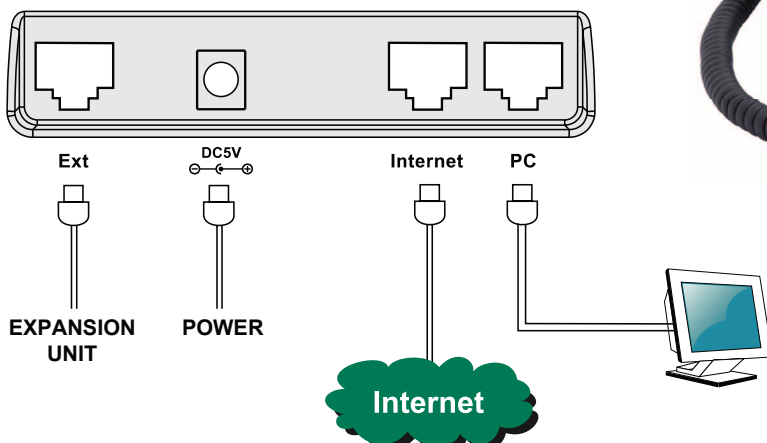
Config, Upgrade and Usage

Firmware Upgrade: TFTP/Console/
 Auto-provision
 Auto-provision: TR069, HTTPS, HTTP, FTP, TFTP, PnP
 Direct IP call without SIP proxy
 Dial number via SIP server
 Dial URL via SIP server

Physical Features

TI Titan Chipset
 LCD: White backlit 320x160
 4-level grayscales
 16 DSS Keys, 4 soft keys
 Network Interface: 2xRJ45 10/100M ports
 Headset port: RJ9
 Expansion Module Port
 Speaker: 8 Ohm/1 Watt
 Dimension: 310 x 290 x 110 mm
 Weight: 1.6 kg
 Optional power adapter: Input: AC 100~240V
 Output: DC 5V/1A
 Operating humidity: 10~95%
 Storage temperature: up to 60 C

Certifications



Yealink
 EASY VOIP

Yealink (UK) Ltd, Pennine House, Salford Street, Bury, Lancashire, BL9 6YA, United Kingdom
 Tel: +44 (0)161 763 2060 Email: sales@yealink.co.uk Web: www.yealink.co.uk

Due to our policy of continuous product improvement, all specifications may be subject to change without prior notice

www.InternetVoipPhone.co.uk | sales@internetvoipphone.co.uk | 0800 088 48 46